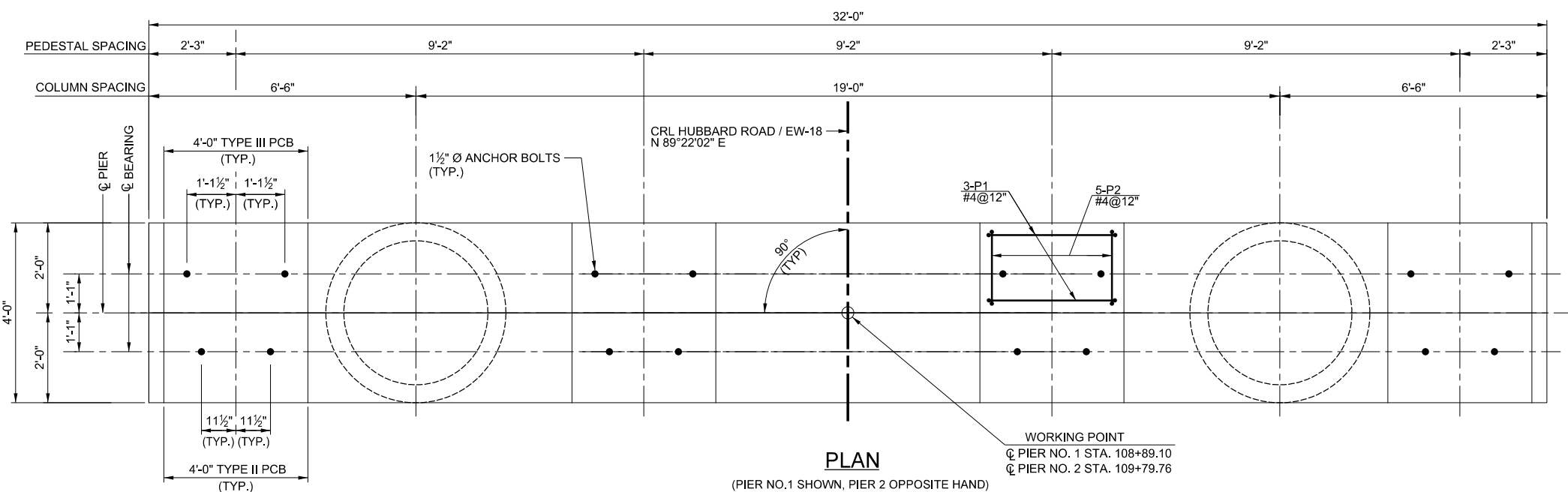
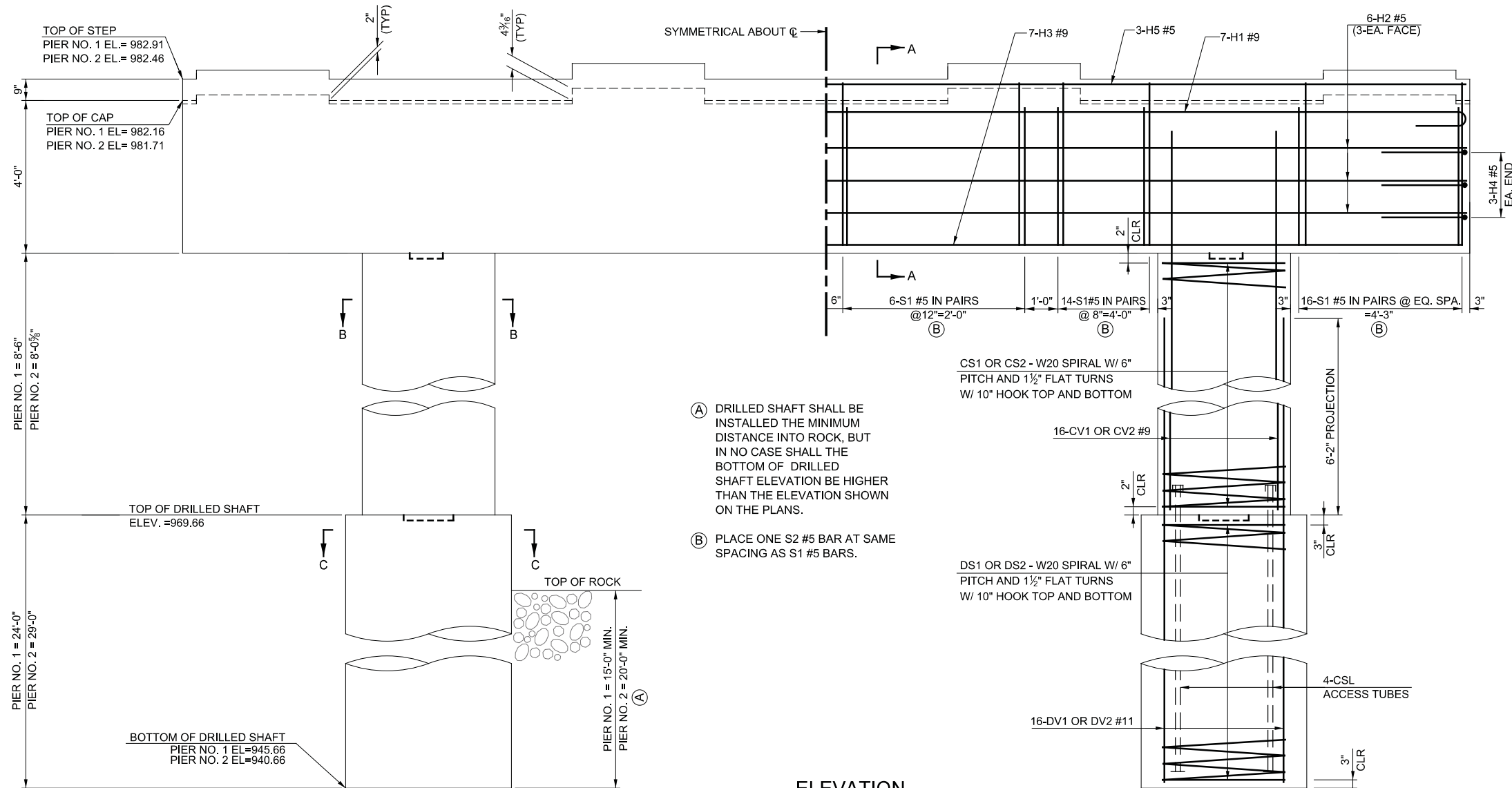


PRINT DATE: 5/10/2017 G:\projects\2014\1403010766-CED8 Pler Design Kay County\Civil\CAD\Structural\14766-PIER DETAIL LS-01.dgn

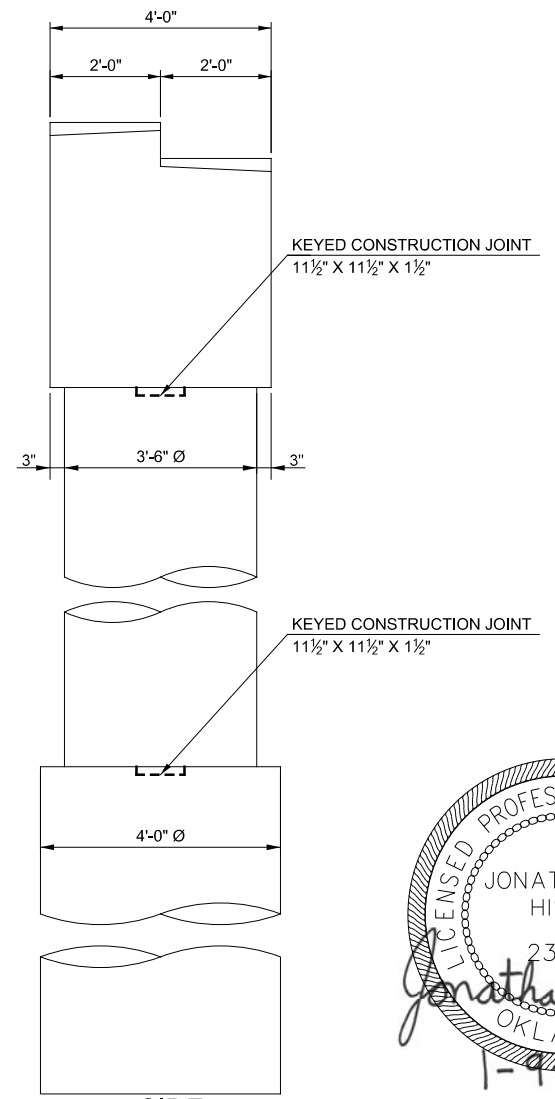


PLAN
(PIER NO.1 SHOWN, PIER 2 OPPOSITE HAND)

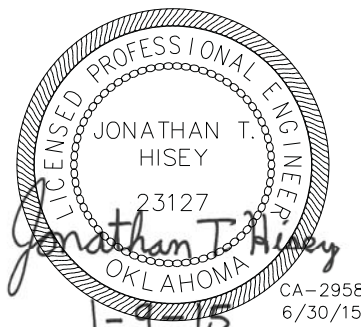


ELEVATION
(PIER NO.1 SHOWN, PIER 2 OPPOSITE HAND)

- (A) DRILLED SHAFT SHALL BE INSTALLED THE MINIMUM DISTANCE INTO ROCK, BUT IN NO CASE SHALL THE BOTTOM OF DRILLED SHAFT ELEVATION BE HIGHER THAN THE ELEVATION SHOWN ON THE PLANS.
- (B) PLACE ONE S2 #5 BAR AT SAME SPACING AS S1 #5 BARS.



SIDE



| | | | |
|----------|-------------|--|--|
| DESIGN | JTH | | OKLAHOMA DEPARTMENT OF TRANSPORTATION PIER DETAILS (1 OF 2) STATE JOB NO. 28433(04) |
| DRAWN | HWL | | |
| CHECKED | JTH | | |
| APPROVED | | | |
| SQUAD | CED8 / MKEC | | |

SHEET NO. B006

EW-18 OVER BOIS D' ARC CREEK KAY CO.